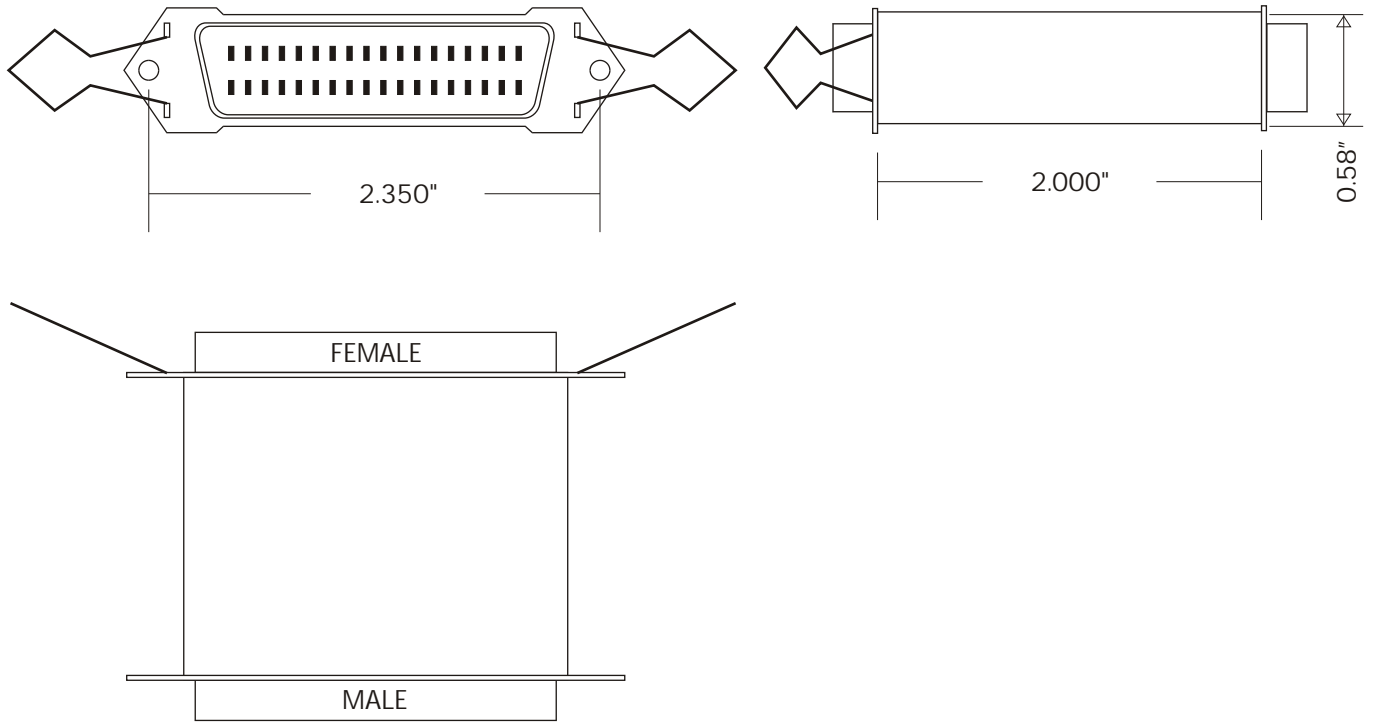


REV	DATE



OUTLINE DRAWING

CONTROL SIGNAL LINES

RISE TIME:
 OVERSHOOT:
 UNDERSHOOT: μ s
 SOURCE, LOAD IMPEDANCES: 2.4 MHz TYP.

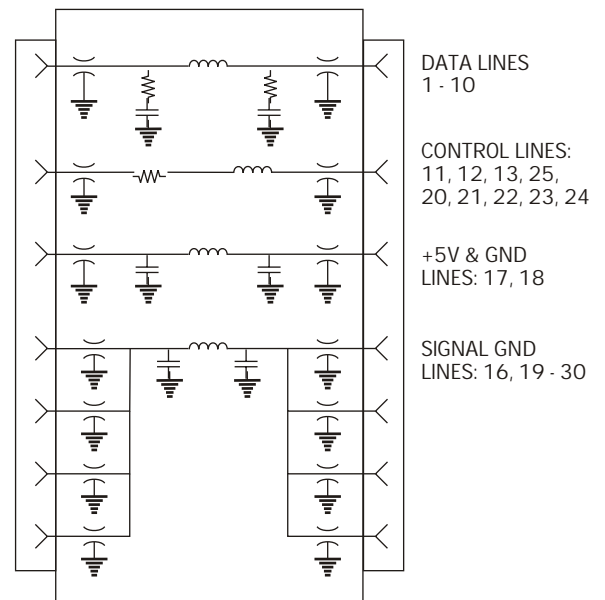
DATA LINES

RISE/FALL TIME: 80 ns TYP. (0.4 - 2.4 V)
 OVERSHOOT: 100 ns TYP. (1.4 V)
 UNDERSHOOT:
 SOURCE IMPEDANCE: 0.5 V TYP.
 LOAD IMPEDANCE:
 INSERTION LOSS:

+5 V & SIGNAL GND:
 CAPACITIVE FILTER

Frequency	ATTENUATION		
	High Speed	Data Lines	GND Lines
100 KHz	< 2 dB	< 2 dB	< 4 dB
500 KHz	< 3 dB	< 3 dB	40 dB
1 MHz	40 dB	40 dB	48 dB
5 MHz	60 dB	60 dB	55 dB
10 MHz	73 dB	73 dB	63 dB
50 MHz	70 dB	70 dB	70 dB
100 MHz	70 dB	70 dB	70 dB
1 GHz	70 dB	70 dB	70 dB

SPECIFICATIONS



FUNCTIONAL DIAGRAM