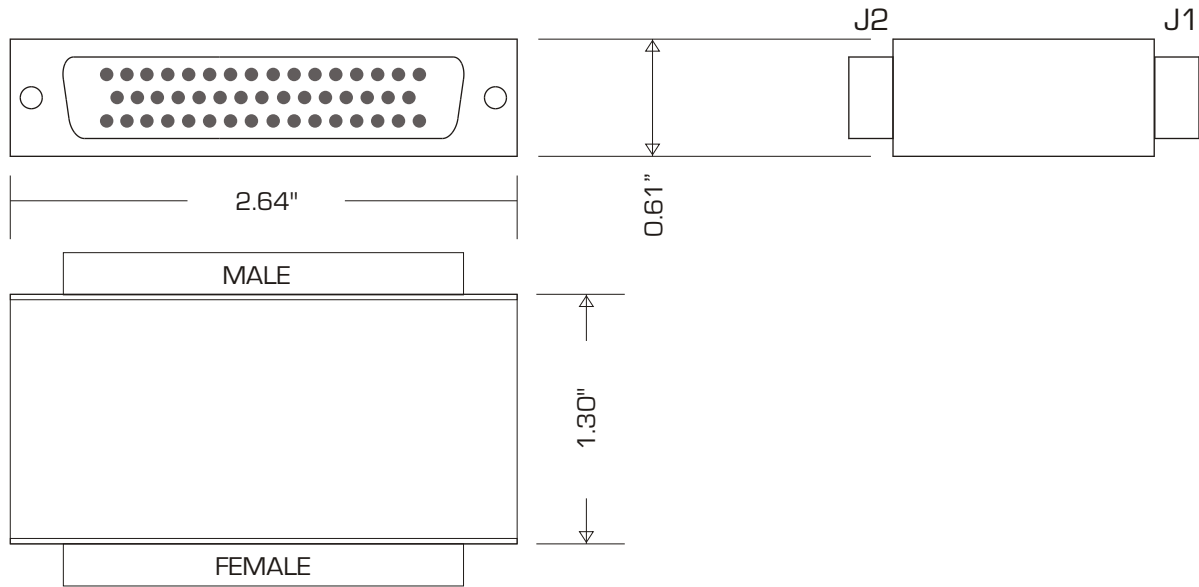


# FCTD-050-50-03

# RS-232 FILTER 50 PIN "D" SUBMINIATURE CONNECTOR

REV	DATE



OUTLINE DRAWING

**SIGNAL TYPES:** RS-232

**BI-DIRECTIONAL:** ALL LINES

**RISE TIME:** 1.5 MICROSECONDS MAX  
5 MICROSECONDS WITH UP TO 1500 pF EXTERNAL CABLE CAPACITANCE LINE

**SOURCE IMPEDANCE:** 300 TO 400Ω

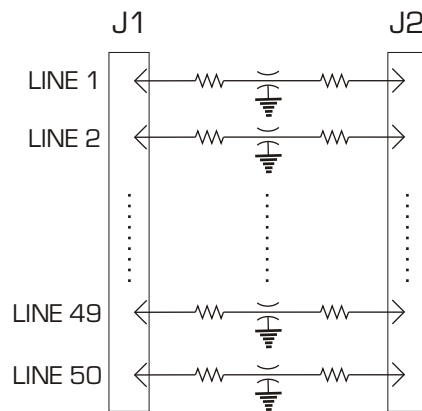
**LOAD IMPEDANCE:** 1KΩ OR GREATER

**DATA RATES:** 32Kbps

**SPURIOUS ATTENUATION:** 55 dB FROM 50MHz TO 1GHz

ATTENUATION	
Frequency	Minimum
50 KHz	3 dB
1 Mhz	33 dB
10 MHz	53 dB
1 GHz	63 dB

SPECIFICATIONS



FUNCTIONAL DIAGRAM