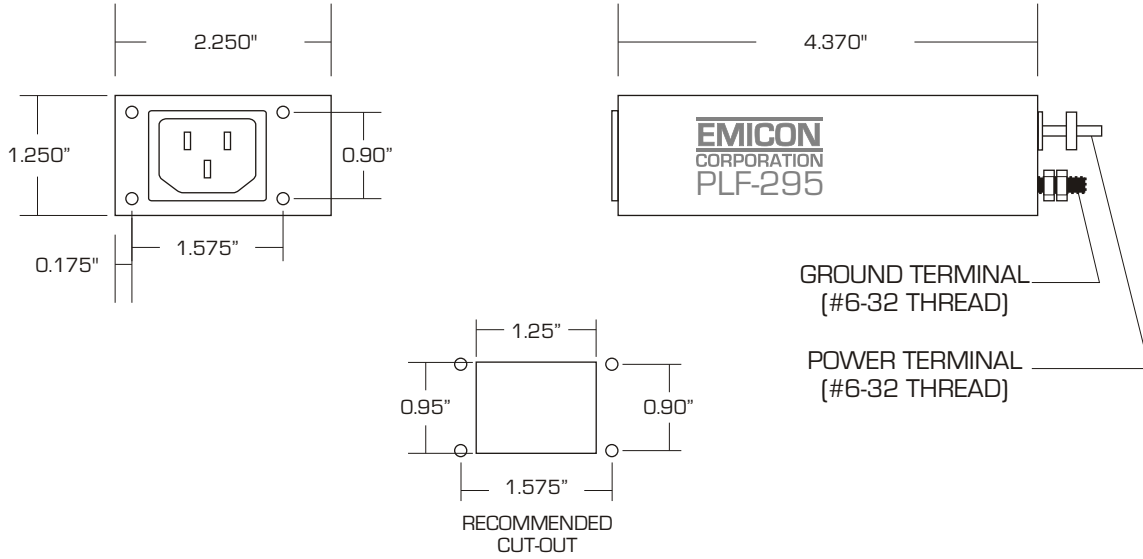


PLF-295

HIGH ATTENUATION POWER ENTRY MODULE

REV	DATE
-----	------



OUTLINE DRAWING

EMICON P/N: PLF-295

Line Current: 20 Amps

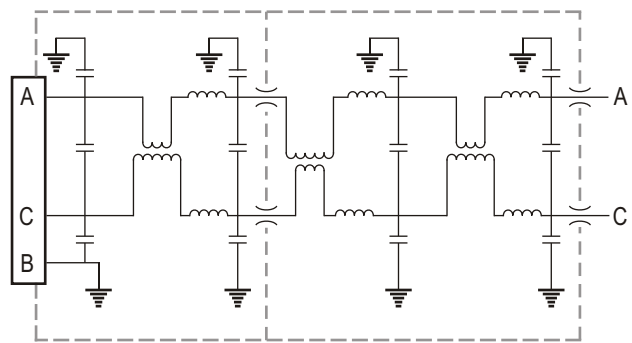
Line Voltage: 110/220 V_{AC}

Leakage Current: 5 mA @ 115 V_{AC}
10 mA @ 220 V_{AC}

Line Frequency: DC - 63 Hz

MINIMUM ATTENUATION		
Frequency	Common Mode	Single Ended
32 KHz	30dB	30dB
50 KHz	39dB	39dB
100 KHz	50dB	50dB
1 MHz	60dB	60dB
10 MHz	60dB	60dB
100 MHz	60dB	60dB

SPECIFICATIONS



FUNCTIONAL DIAGRAM