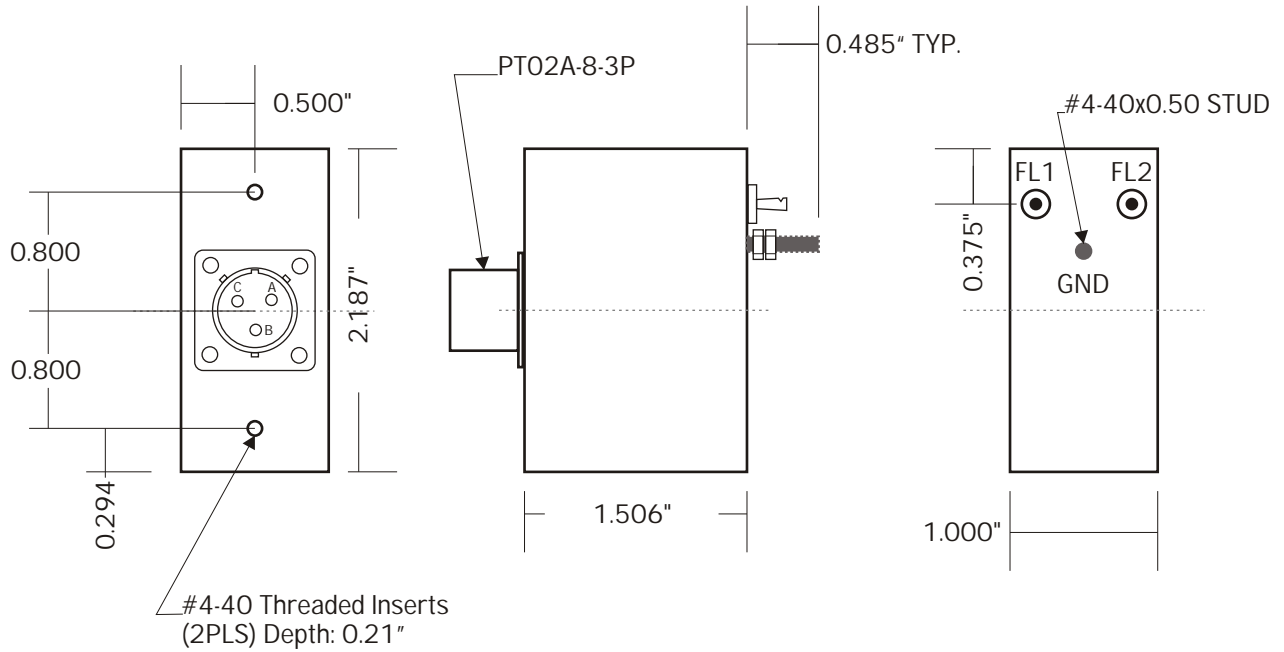


PLF-300

± 28V_{DC} POWER LINE FILTER

REV | DATE



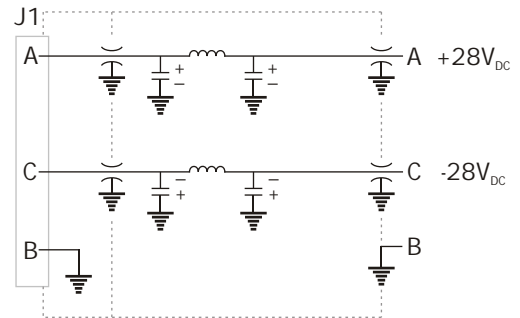
OUTLINE DRAWING

DC Voltage: LINE A +28V_{DC}
 LINE B -28V_{DC}

DC Current: 5A Max

ATTENUATION, TYP.		
Frequency	+28 V	-28 V
10 KHz	16 dB	7 dB
100 KHz	23 dB	16 dB
1 MHz	84 dB	71 dB
2 MHz	87 dB	93 dB
10 MHz	90 dB	90 dB
100 MHz	88 dB	88 dB
1 GHz	68 dB	68 dB

SPECIFICATIONS



FUNCTIONAL DIAGRAM